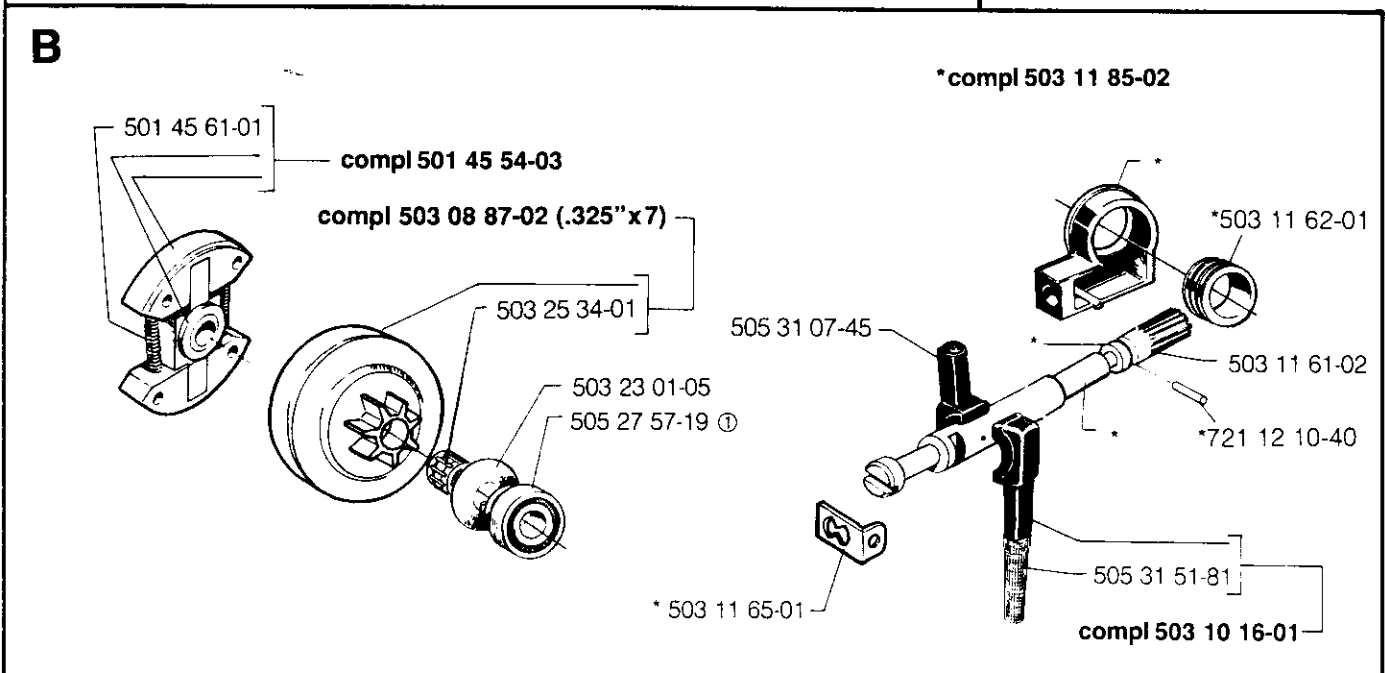
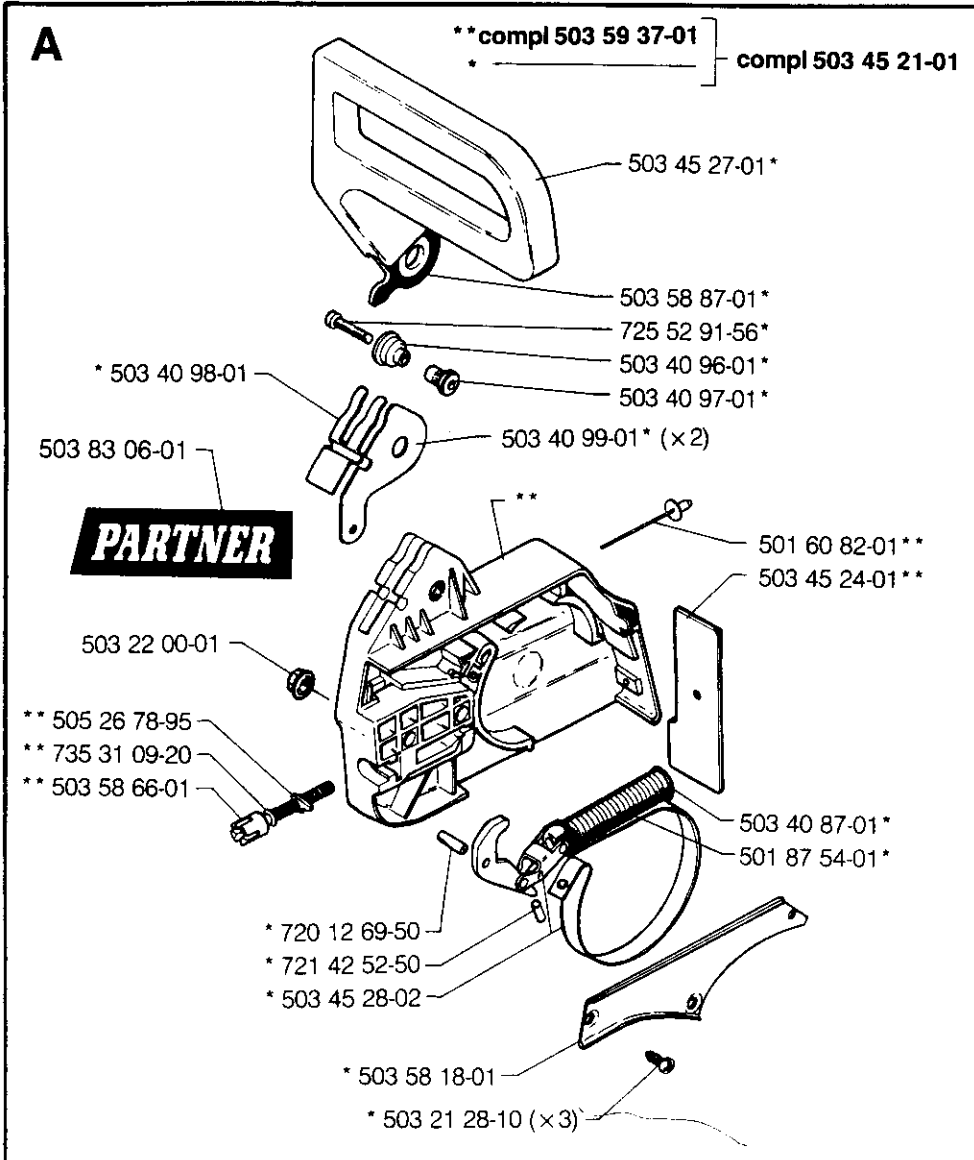
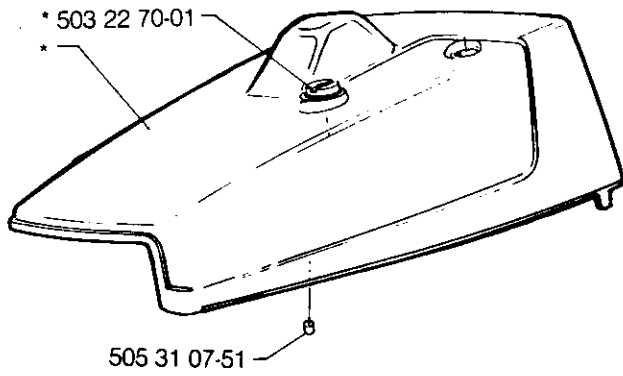


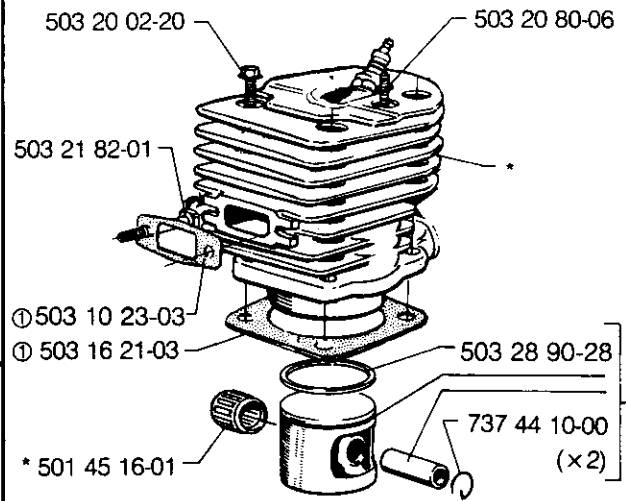
SPAREPARTS 107 25 93-63



C *compl 503 12 60-09

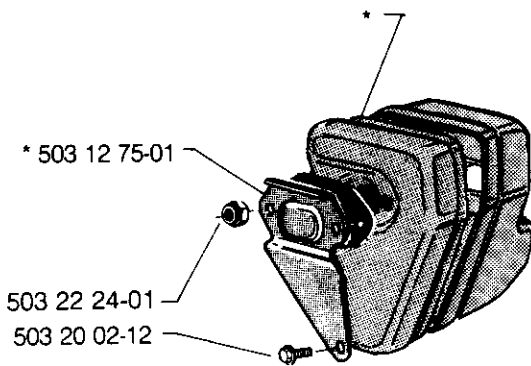


D *compl 503 60 91-02 (Ø 46 mm)

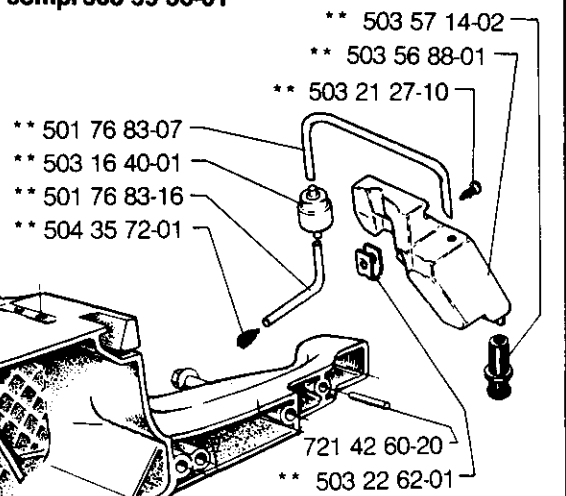


*compl 503 60 81-01 (Ø 46 mm)

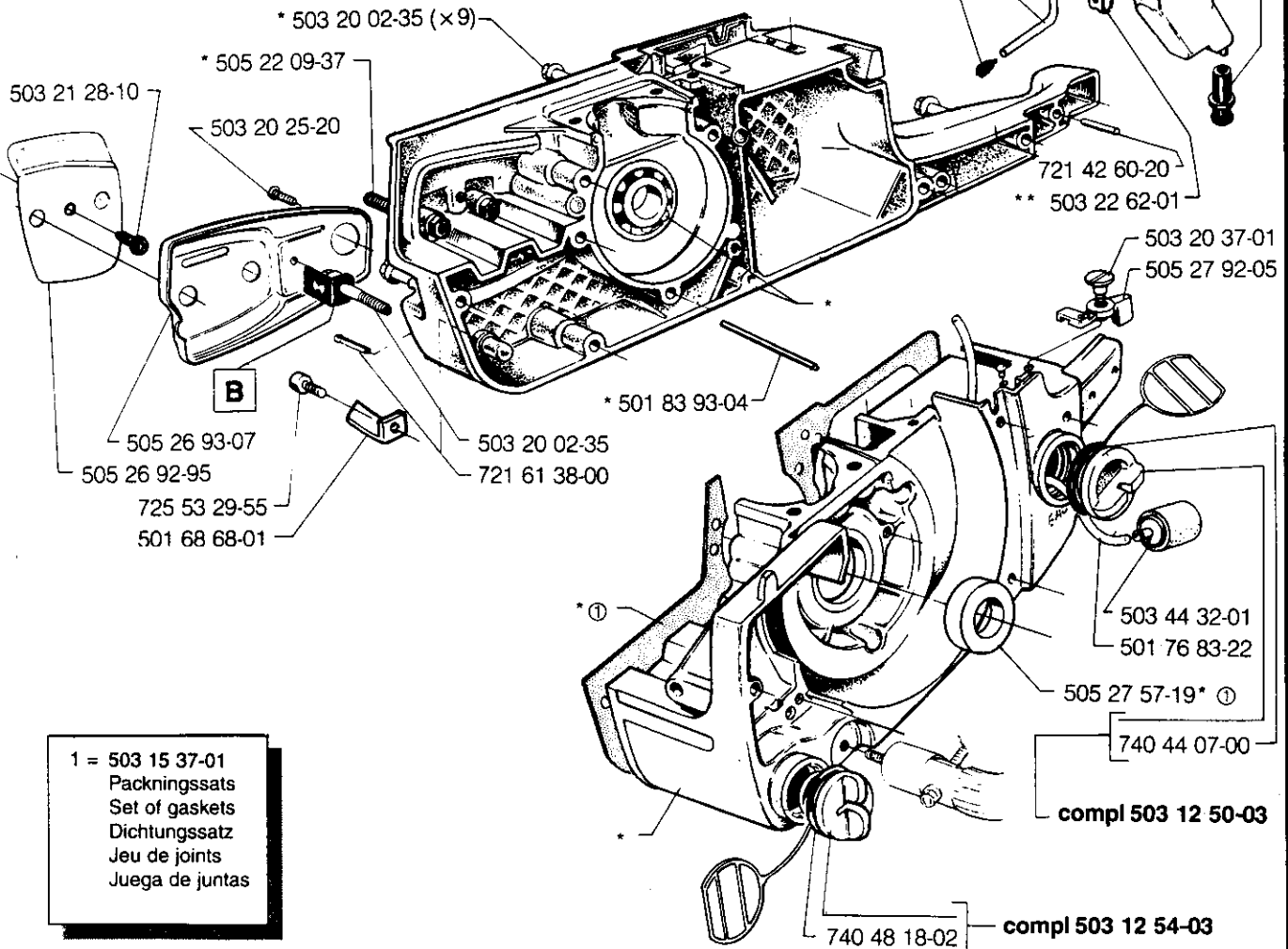
E *compl 503 12 56-01



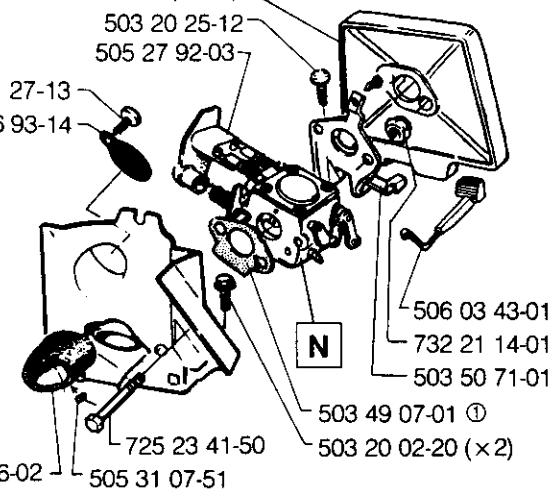
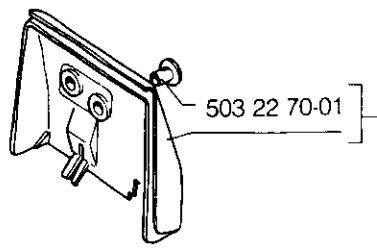
**compl 503 59 36-01



F *compl 503 12 31-05



1 = 503 15 37-01
 Packningssats
 Set of gaskets
 Dichtungssatz
 Jeu de joints
 Juego de juntas

G**compl 503 15 08-01**503 50 74-01 (Nylon)
503 50 74-02 (Flock)**compl 503 53 61-01**503 20 25-12
505 27 92-03503 21 27-13
505 26 93-14506 03 43-01
732 21 14-01
503 50 71-01503 49 07-01 Ⓢ
503 20 02-20 (×2)503 16 16-02
505 31 07-51**H****compl 501 48 54-02**

503 23 51-08 (RCJ-7Y)

compl 506 02 72-07501 53 16-01
505 27 75-16

503 12 97-01

503 22 10-11

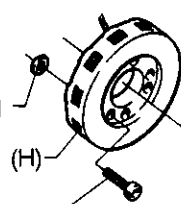
503 23 01-01

503 20 25-20

compl 503 52 18-02 (H)
compl 503 52 18-01503 81 81-01
503 23 00-42

501 81 99-03

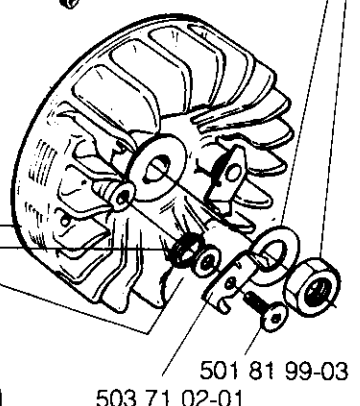
503 71 02-01



503 23 00-51

503 18 16-01 (H)

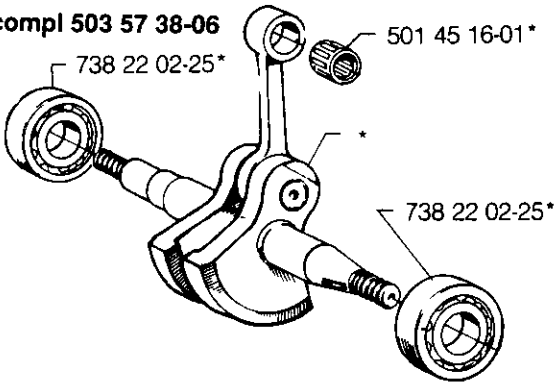
503 20 25-20

**J*****compl 503 57 38-06**

501 45 16-01*

738 22 02-25*

738 22 02-25*

**K*****compl 503 12 80-05**

* 505 30 51-25

*503 54 39-01

*501 63 06-01

* 505 29 51-26

* 505 30 37-35

* 503 21 27-10

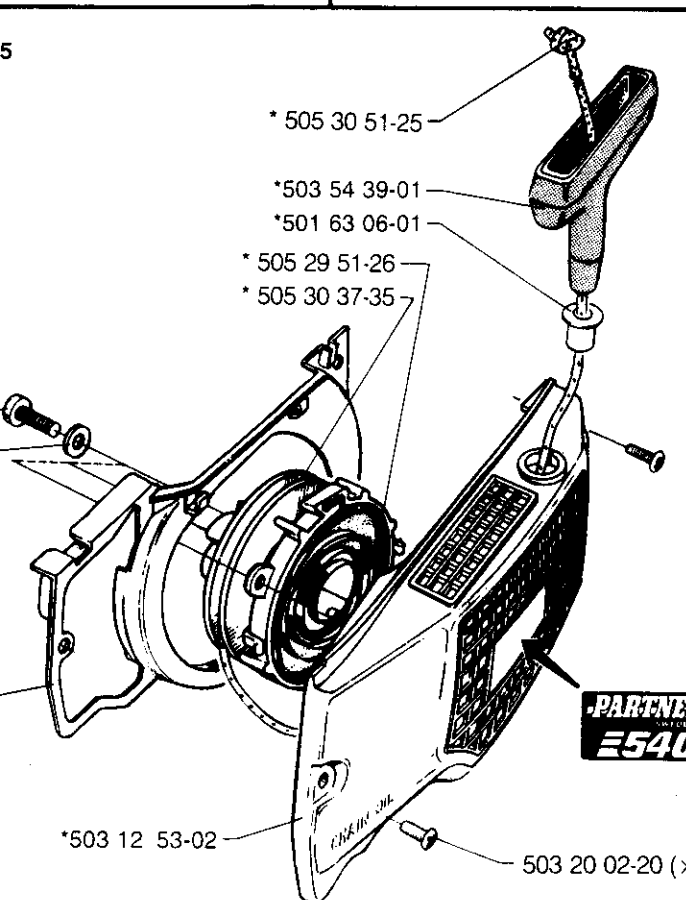
* 503 23 00-35

* 503 12 47-01

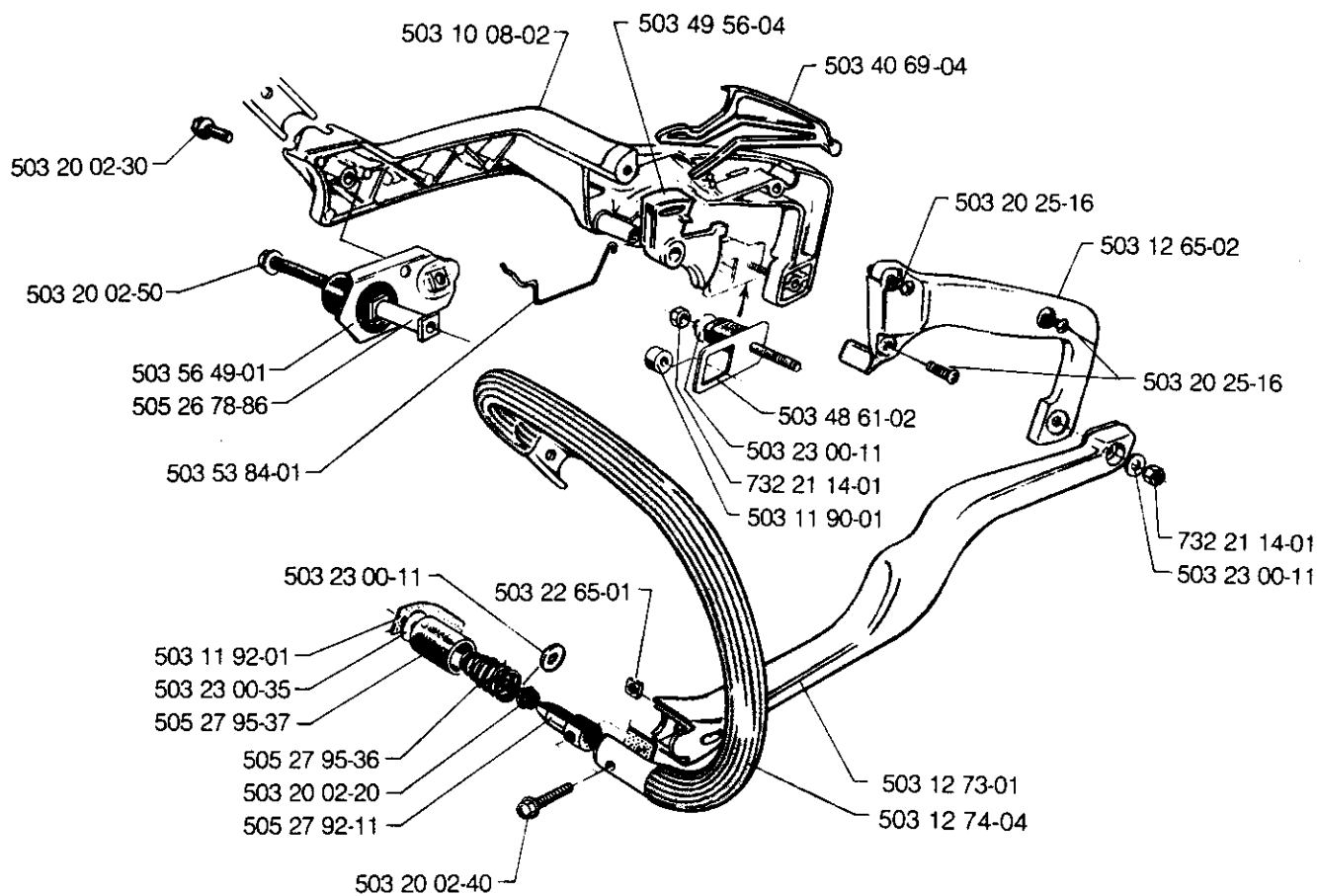
*503 12 53-02

503 20 02-20 (×4)

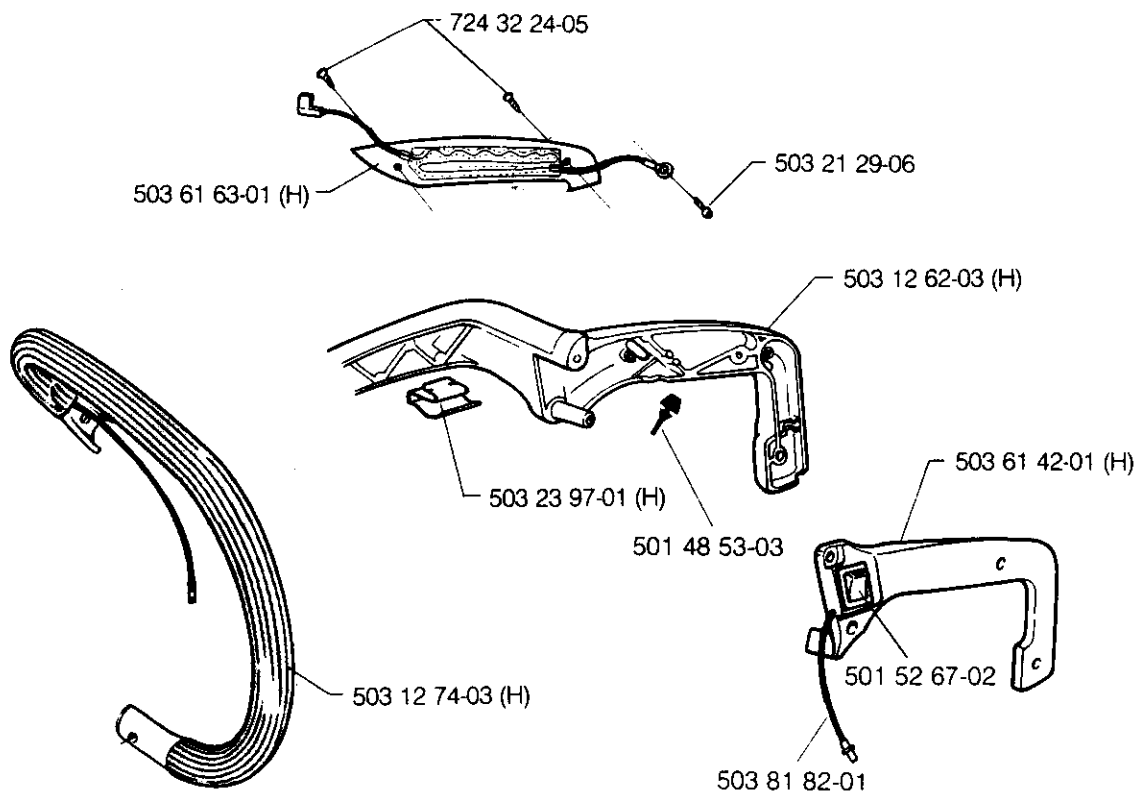
503 83 04-01

**PARTNER**
540

L



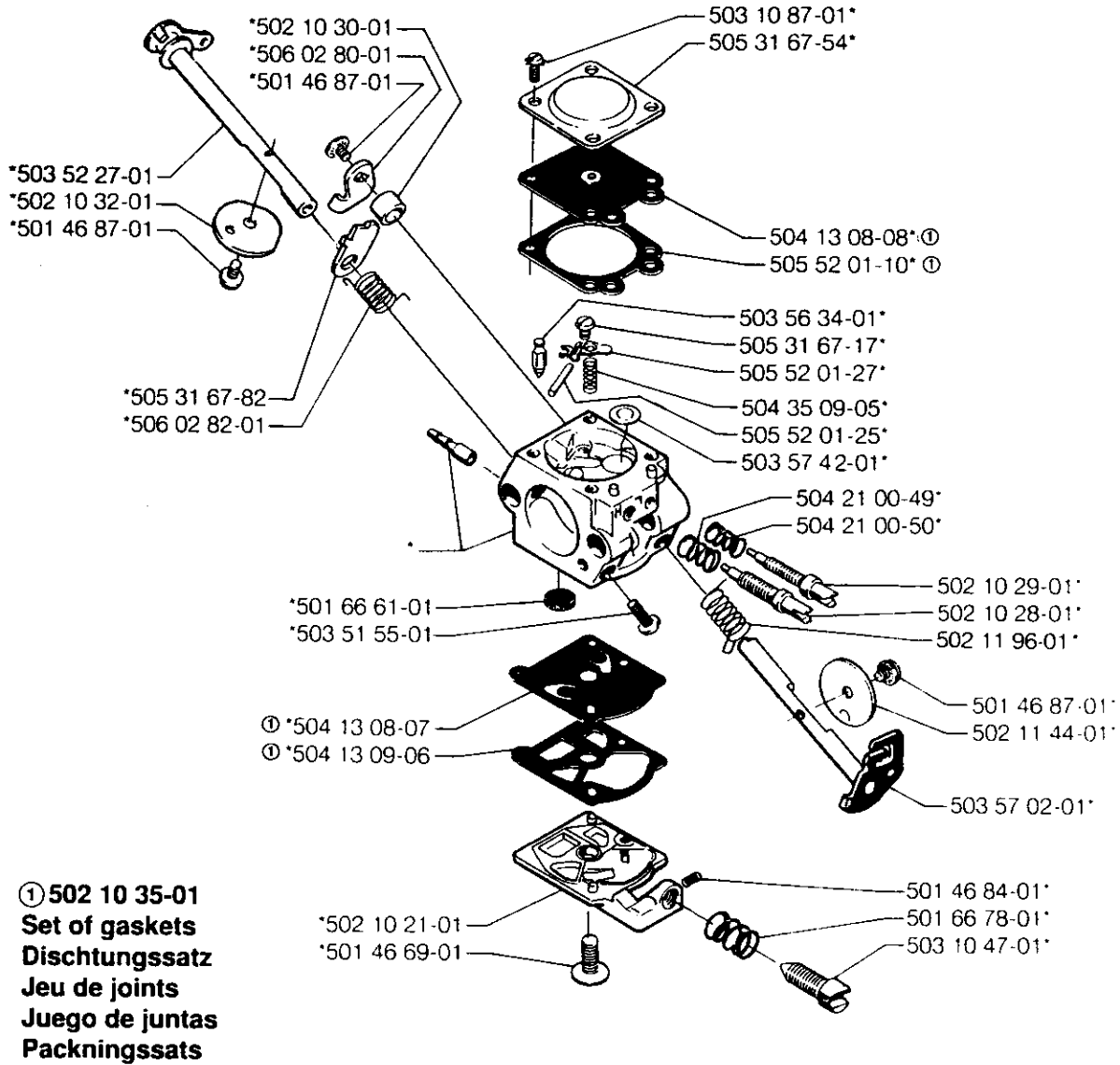
M



N

*compl 503 28 15-04

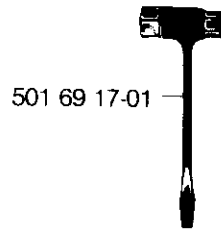
Walbro WT 170



① ① 502 10 35-01
 Set of gaskets
 Dischtungssatz
 Jeu de joints
 Juego de juntas
 Packningssatz

P

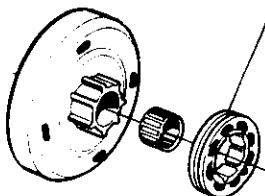
Accessories
Zubehöre
Accecoires
Acessorios
Tillbehör



compl 503 41 40-01

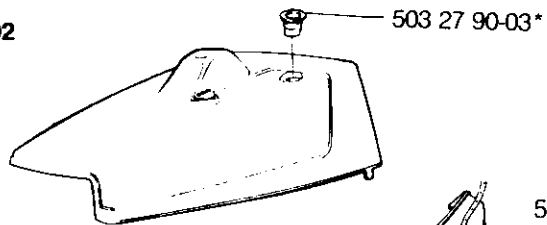
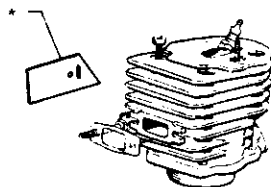
505 30 36-72 (.325x8T)

501 45 74-02 (.325x7T)



*compl 503 15 44-02

Vintersats
 Winter equipment
 Winterausrüstung
 Equipment d'hiver



503 15 45-01

